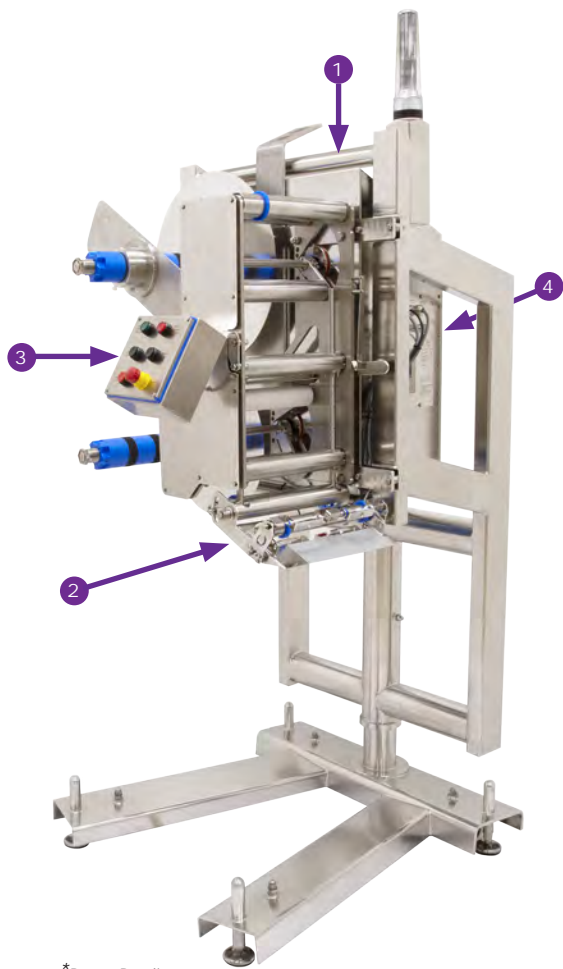


Hygienic Washdown Labeler 300*

One Piece 20" Unwind/Rewind Label Applicator with 12" Peel Plate

High Performance - Reliable - Cost Effective



1 Hygienic Washdown Labeler Control Panel

Equipped with customizable computer controls with on-board panel for flexible controls.



2 Durable steel shafts for strength

Stainless steel shafts and sealed bearings will provide maximum life expectancy. Adjustable angular peel plate for a wide range applications.



3 Hygienic Washdown Labeler Remote Panel

Remote control Panel panel for easy control from the loading/operator side. Includes E- Stop button for emergency stops to safely disconnect power source.



4 Brushless Servo Motor for accurate placement

A standard 500 to 1000 watt brushless servo motor per axis depending on application is available for repeatable accuracy.



*Patent Pending



Hygienic Washdown Labeler Applicator (stand optional)

Features

- The Hygienic Washdown Labeler 300* is a robust labeler, engineered with type 304 stainless steel and passivated for corrosion resistance. The Labeler's Clean-in-Place design provides minimal contamination points. This allows for minimal disassembly with easy cleaning and maintenance, therefore reducing your risk of contamination.
- Computer-controlled brushless servo motors for flexible high speed accuracy. Prevents interruptions for precise product labeling placement. Adjustable angular peel plate for a wide range of applications. Highly adaptable software package with optional upgrades.
- The Hygienic Labeler meets IP69K requirements and meets and exceeds IP66/NEMA4X standards to ensure consistent washdown performance.
- The Hygienic Washdown Labeler is available for food grade applications such as pizza, bakery, meat, clean rooms, and medical devices. The Hygienic Labeler can meet various sanitary level requirements depending on your application needs.
- The Hygienic Labeler is easy to use and versatile to interface using standard industry compliant cables. The Labeler utilizes a small footprint and is easily mobile to quickly change work station locations.

Industries:

- Pharma/Medical
- Food
- Clean room environments
- Pizza Manufacturing
- Bakery
- Meat packaging

Common equipment that the feeder can be integrated into:

- Conveyers
- Web Press
- Folder Gluer

Applications

- Adhere labels to packaging, cartons, folders and more

Certifications

- All external components meet IP69K and meets and exceeds IP66/NEMA4X.

Technical Data:
MFT Hygienic Washdown Labeler 300 (12") Applicator

Equipment Specifications

Typical Height	2386mm (94")
Typical Length	1538mm (61")
Typical Width	909mm (36")
Maximum Speed	125 meters per minute
Power Requirements	110/220V 50-60Hz 6A
Operating Temp.	0 °-35°C (30°-95°F)
Weight Ranges	400 - 1000 lbs.
Labeler without stand:	400 lbs.
Labeler with Stand	600 lbs.

Label Specifications

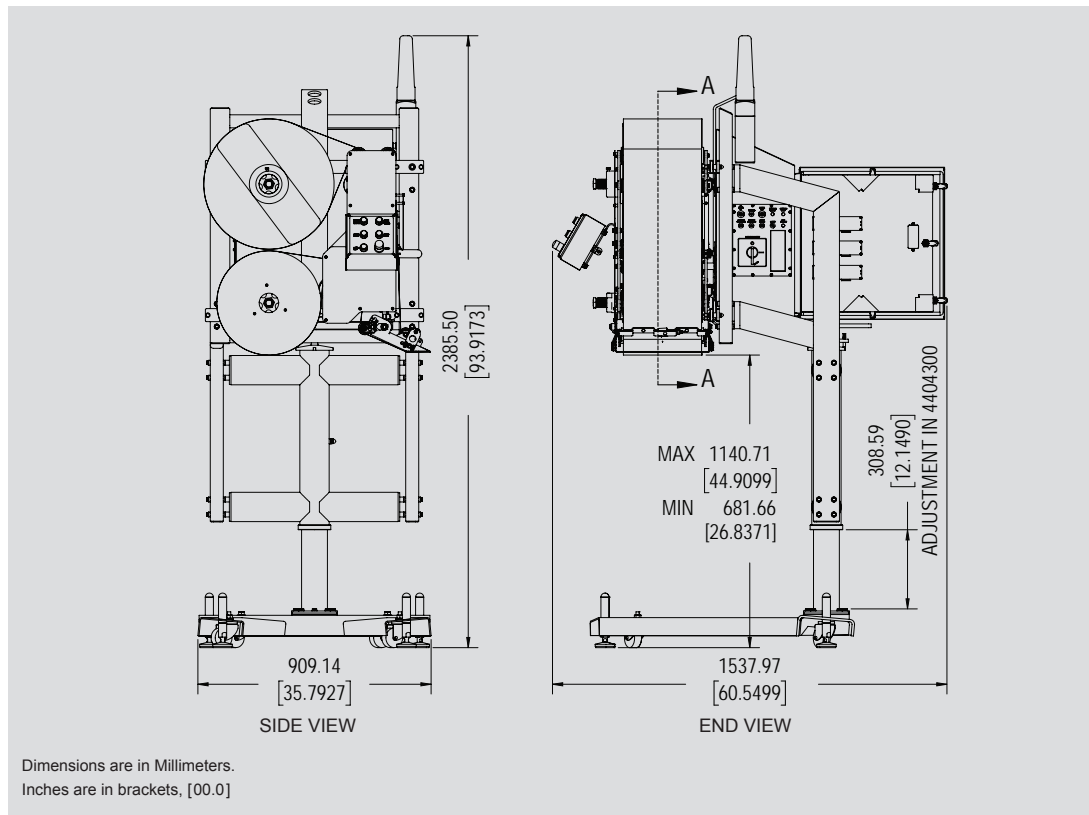
Minimum Size	10mm† (W) x 10mm (L)
Maximum Size*	304mm (W) x 1000mm (L)

*All Multifeder Technology® equipment can be designed to meet your specific production requirements. Please contact one of our experienced Application Engineers to discuss many solution options available to you.



Shown with stand option

Standard Dimensional Drawing



All specifications are subject to change without notice.

Technical Support Services



Our dedicated team of experienced Technicians and Application Engineers have the proper training and necessary credentials to answer any questions and offer system solution recommendations for your project needs.

For Technical Assistance, call 651-407-3100, select option 2.

Multifeeder Technology provides high performance friction feeding and labeling solutions throughout the world. With state-of-the-art control technology and robust mechanics, our products feed and label more quickly and accurately to provide customers with a greater value of return. All feeders, labelers and accessories can easily be integrated with other machines to provide a total system solution for any application.



www.multifeeder.com

© 2019 Multifeeder Technology

Multifeeder Technology®
 4821 White Bear Parkway
 St. Paul, MN 55110
 Phone: 651-407-3100
 Fax: 651-407-3199
marketing@multifeeder.com

10/2019 Sell Sheet #104